

ALFRED TEVES BRAKE SYSTEMS (PTY) LTD

TECHNICAL BULLETIN

SEPTEMBER 2024

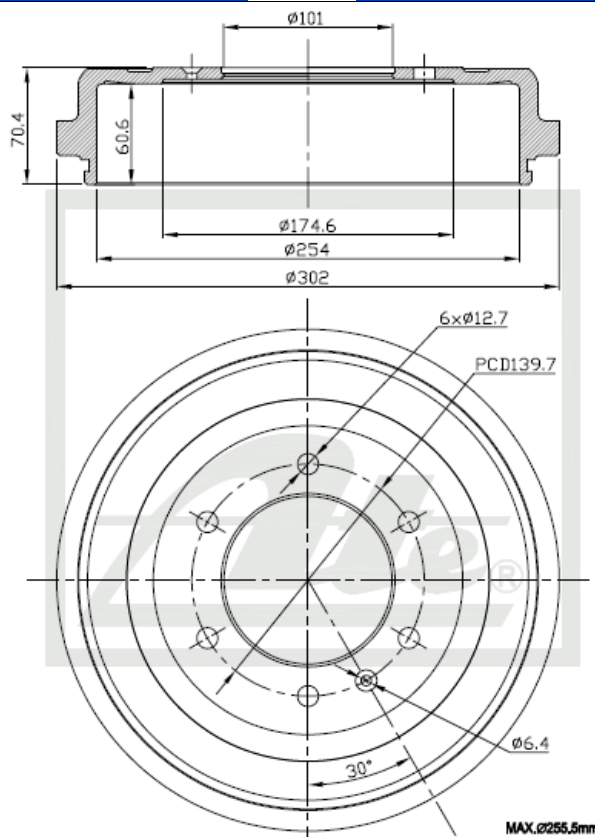


(ATE and Teves are registered trademarks of Continental Teves AG & Co oHG and/or its affiliates in Frankfurt Germany and other Countries)

225.1001

NEW PART NUMBER

Drawing



Details of New Part

Brake Drum – Rear

Product Dimensions

Outer Diameter – 302.0mm

Inner Diameter – 254.0mm

Height – 70.4mm

PCD – 139.7mm

Spigot – 101.0mm

Package Dimensions

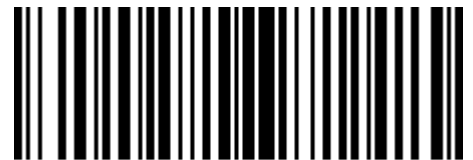
Weight – 8500g

L – 360mm

W – 335mm

H – 90mm

Barcode



225.1001

Vehicle Applications

ISUZU KB (RA, RC) [2002-11] 2.5
ISUZU KB (RA, RC) [2002-11] 2.5 DiTD

Front Position Rear



CALL NOW TO ORDER YOUR STOCK!!!

(011) 898 1800

Picture(s) of the vehicle(s) that this part is suitable for



www.ate.co.za

"Single Minded about YOUR Safety"